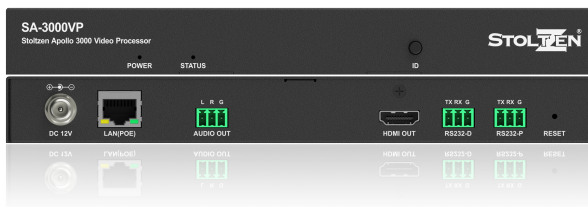


# STOLTZEN®

## APOLLO

### 1080P IP Encoder w/ Windowing



**SA-3000VP**  
USER MANUAL



# Important Safety Information

1. Read, follow, and keep these instructions.
2. Heed all warnings.
3. Do not use this product near water. Keep away from wet places, such as: spas, pools, sinks, laundries, wet basements, etc.
4. When cleaning, unplug the unit and wipe with a dry cloth. Do not use damp cloths, cleaning fluids, or aerosols which may result in electric shock, fire, or unit damage.
5. Operate this product using only the included power supply and/or power cable. Use of an unapproved power implement may impair performance, damage the product, or cause fires.
6. Do not block any ventilation openings. Install in accordance with the manufacturer's instructions.
7. Do not install or place this product near any heat sources such as radiators, heat registers, stoves, or other apparatus (including amplifiers) that produce heat.
8. Protect the power cord from being walked on or pinched particularly at plugs, convenience receptacles, and the point where they exit from the product.
9. Only use attachments/accessories specified by Pixelfly to avoid fire, shock, or other hazards.
10. To reduce the risk of electric shock and/or damage to this product, never handle or touch this unit or power cord if your hands are wet or damp. Do not expose this product to rain or moisture.
11. Unplug this product during lightning storms or when unused for long periods of time.
12. Never open, remove unit panels, or make any adjustments not described in this manual. Attempting to do so could result in electric shock, damage to the unit, or other hazards.



The lightning flash with arrowhead symbol, within an equilateral triangle, is intended to alert the user to the presence of uninsulated dangerous voltage within the product's enclosure that may be of sufficient magnitude to constitute a risk of electric shock to persons.



The exclamation point within an equilateral triangle is intended to alert the user to the presence of important operating and maintenance (servicing) instructions in the literature accompanying the appliance.

## CAUTION

**TO REDUCE THE RISK OF ELECTRIC SHOCK  
DO NOT OPEN ENCLOSURE OR EXPOSE  
TO RAIN OR MOISTURE.  
NO USER-SERVICEABLE PARTS  
INSIDE REFER SERVICING TO  
QUALIFIED SERVICE PERSONNEL.**

# Contents

Important Safety Information.....	1
Introduction.....	3
Features .....	3
Package Contents .....	3
Panel Description.....	4
Front Panel.....	4
Rear Panel.....	4
Specifications.....	6
Installation.....	7
Typical Application .....	8
Device Control .....	8

# Introduction

SA-3000VP is a windowing processor, it can decode up to 6 IP streams with 1920x1080P@60Hz resolution supported and mix them in an overlapped way, and finally output to H.264 receivers through Ethernet or to an HDMI display through HDMI port. This device offers solutions for conference rooms, shopping malls, hotels, high resolution signage, monitoring centers, schools and corporate training environments, etc.

## Features

- Decodes up to 6 video streams from multiple encoders and supports window roaming to H.264 decoders and a single display.  
(For more information about “Window Roaming”, see the user guide of Apollo Configurator and Apollo Visual Composer Touch )
- Supports input streaming resolutions up to 1920x1080P@60Hz.
- 2-way RS-232 between the display and the controller system.
- Supports CEC one-touch-play and standby commands to power on/off the display.
- Supports auto IP/DHCP/Static IP.
- Supports Telnet/Multicast/HTTP/FTP.
- Ease to use with Apollo Visual Composer Touch.
- Supports one HDMI output.
- Built-in Auto Scaler.
- Supports PoE.

## Package Contents

- 1 x SA-3000VP
- 1 x DC 12V Power Adapter (with US, UK, EU and AU Pins)
- 3 x Phoenix Male Connectors (3.5mm, 3 Pins)
- 2 x Mounting Brackets (with Screws)

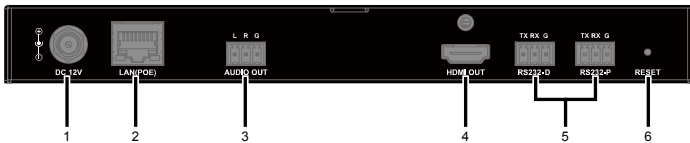
# Panel Description

## Front Panel



No.	Name	Description
1	Power LED	<ul style="list-style-type: none"> <li><b>On:</b> The device is powered on.</li> <li><b>Off:</b> The device is powered off.</li> </ul>
2	Status LED	<ul style="list-style-type: none"> <li><b>Solid on:</b> The device is connected to encoder and the video is displayed.</li> <li><b>Blinking:</b> The device is disconnected from encoder.</li> <li><b>Off:</b> The device is powered off or in the boot process.</li> </ul>
3	ID Key	Press to display the device's IP address & MAC address as well as the linked encoders' MAC address on the screen.

## Rear Panel



No.	Name	Description
1	DC 12V	Connect to the supplied 12V power adapter.
2	LAN (POE)	<p>Connect to an Ethernet Switch for device control and management. This device can be powered by a PoE-enabled power source equipment such as a PoE switch via this port.</p> <p><b>Note:</b> We would recommend that you power this device by using a power adapter or a PoE-enabled switch instead of both of them at the same time.</p>
3	Audio Out	Connect to an audio receiver (e.g. amplifier, speaker)

No.	Name	Description
		for de-embedded audio output.
4	HDMI Out	Connect to an HDMI display.
5	RS232	<ul style="list-style-type: none"> <li>• <b>RS232-D</b>: connect this port to a PC for debugging SA-3000VP.</li> <li>• <b>RS232-P</b>: connect this port to a RS232 device such as a projector for bi-directional serial communication with a RS232 device on the IP control box side.</li> </ul>
6	Reset Button	When SA-3000VP is powered on, use a pointed stylus to hold down the RESET button for five or more seconds, and then release it, it will reboot and restore to its factory defaults.

# Specifications

Technical	
Input Video Ports	1 x LAN
Input Video Type	H.264/MPEG-4 AVC
Input Video Resolutions	Up to 1080p@60Hz
Output Video Ports	1 x HDMI
Output Video Type	HDMI
Output Video Resolutions	<ul style="list-style-type: none"> <li>HDMI: Up to 1080P@60Hz</li> <li>IP Stream: Up to 1080P@60Hz</li> </ul>
Input Audio Ports	3-Pin Phoenix Female Connector
Input Audio Format	Stereo, unbalanced
Control Method	Windows PC configurator, Apollo Visual Composer Touch on iPad and IP control box

General	
Operating Temperature	0°C to 45°C (32°F to 113°F)
Storage Temperature	-20°C to 70°C (-4°F to 158°F)
Humidity	10% to 90%, non-condensing
ESD Protection	Human-body Model: ±8kV (Air-gap discharge)/ ±4kV (Contact discharge)
Power Supply	DC 12 V 1 A
Power Consumption	8.3 W
Device Dimension (W x H x D)	220 mm x 25 mm x 130.2 mm/8.7" x 1" x 5.1"
Net Weight	0.78 kg/1.72lb

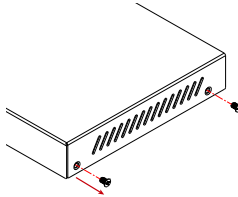


# Installation

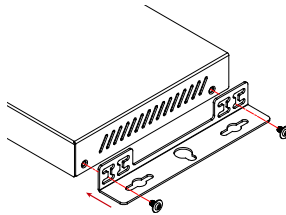
**Note:** Before installation, please ensure the device is disconnected from the power source.

Steps to install the device in a suitable location:

1. Remove the four screws from the two side panels.

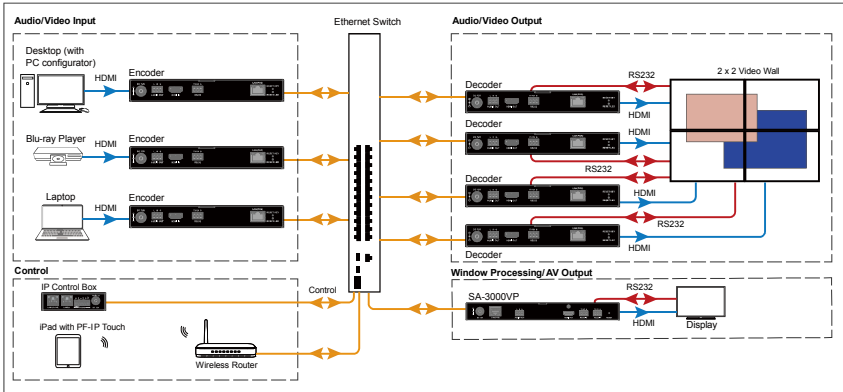


2. Position and install the mounting brackets on the two side panels using the mounting screws provided in package.



3. Mount and secure the device to a surface or a suitable location with the mounting screws (provided by others).

# Typical Application



## Device Control

You can use Apollo Configurator, Apollo Visual Composer Touch and IP control box to manage and control SA-3000VP. For more information, see their user guides.





Tel: +47 22 90 37 00 | <http://www.stoltzen.eu>

Sales: [sales@stoltzen.eu](mailto:sales@stoltzen.eu) | Technical: [support@stoltzen.eu](mailto:support@stoltzen.eu)

Address: Dronning Mauds Gate 15, 0250 OSLO, Norway